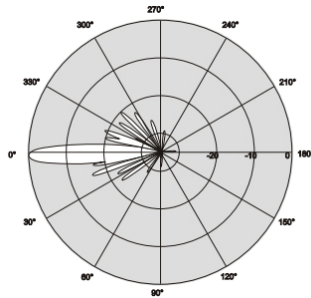
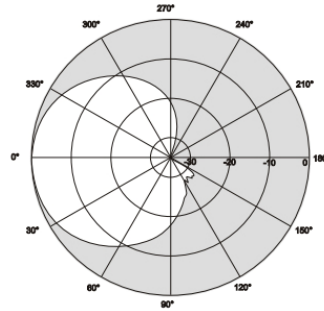


BAP Panel Antenna Series-Slant Pol.
Vertical Pattern

Horizontal Pattern


Electrical Parameters		BAP1900-65S-21D	
Frequency range		1710~2170MHz	
Gain		21.5dBi	
Polarization		Dual, slant $\pm 45^\circ$	
Isolation between ports		≥ 30 dB	
Vertical plane -3dB beamwidth		4.2°	
Horizontal plane -3dB beamwidth		65°	
Vertical plane -10dB beamwidth		6.5°	
Horizontal plane -10dB beamwidth		123°	
First upper side lobe suppression		≥ 15 dB	
Return loss		≥ 15 dB	
Front to back ratio		≥ 28 dB	
Max CW power per port		250W	
Impedance		50 Ω	
IMD performance		≤ -150 dBc	
Fixed electrical downtilt		0°, 2°	
Lighting protection		DC ground	
Connector type		DIN 7/16F	
Mechanical Parameters		Specification	
Rated wind speed		200km/hr	
Loading at rated wind speed	Front	310N	
	Side	174N	
Dimensions H x W x D		2116×153×86mm	
Packed size H x W x D		2385×290×240mm	
Net weight (with mounting hardware)		9.5kg	
Operating temperature		Min -30°C Max +60 °C	
Radome material		FRP or UV Stable PVC	
Mechanical downtilt max. (with adjustable brackets)		12°	
Mounting pole (min/max diameter)		50~100mm	
Performance		Specification	
Materials:		All internal parts corrosion resistant.	
		All antenna fasteners stainless steel.	
		Bracket assemblies fully galvanized.	
Mounting:		Radome surface treated for maximum UV protection.	
		Available with either fixed brackets (non-adjustable) or mechanically adjustable bracket assemblies. Please specify when ordering.	
Grounding:		Lower bracket assembly DC ground.	

Eyecom company policy is one of continuing improvement; therefore we reserve the right to change this specification without notice.