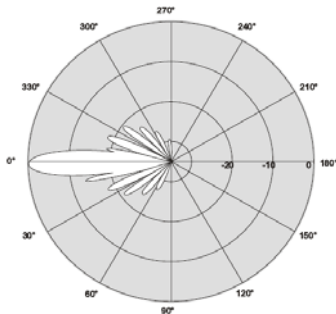
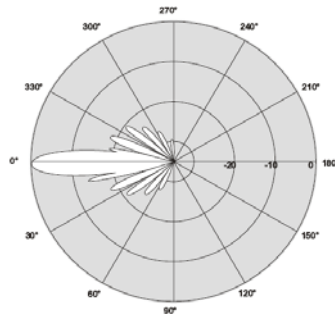


BAP Panel Antenna Series-Dual Band

Vertical Pattern (800MHz)

Vertical Pattern (1800MHz)


Electrical Parameters	BAP890-1800-65S-17D	
Frequency range	824~960MHz	1710~2170MHz
Gain	17dBi	17dBi
Polarization	Dual, slant $\pm 45^\circ$	Dual, slant $\pm 45^\circ$
Isolation between ports	$\geq 30\text{dB}$	$\geq 30\text{dB}$
Isolation between bands	$\geq 40\text{dB}$	$\geq 40\text{dB}$
Vertical plane -3dB beamwidth	8.5°	8°
Horizontal plane -3dB beamwidth	65°	65°
First upper sidelobe suppression	$\geq 17\text{dB}$	$\geq 17\text{dB}$
Return loss	$\geq 16\text{dB}$	$\geq 16\text{dB}$
Front to back ratio	$\geq 30\text{dB}$	
Max CW power per port	250W	
Impedance	50 Ω	
IMD performance(2x43dBm)	$\leq -150\text{dBc}$	
Fixed electrical downtilt	2°	
RF Connector numbers/ type	4/DIN 7/16F	
Lighting protection	DC Ground	
Mechanical Parameters	Specification	
Rated wind speed	200km/hr	
Dimensions H x W x D	2158x406x137 mm	
Packed size H x W x D	2255x550x300 mm	
net weight (with mounting hardware)	22.5kg	
Operating temperature	Min -40°C Max $+60^\circ\text{C}$	
Radome material	FRP or UV Stable PVC	
Features	Specification	
Materials:	All internal parts corrosion resistant. All antenna fasteners stainless steel. Bracket assemblies fully galvanized. Radome surface treated for maximum UV protection.	
Mounting:	Available with either fixed type brackets (non-adjustable) or mechanically adjustable bracket assemblies for extra 1-20 degree mechanical downtilt adjustment	
Grounding:	Lower bracket assembly DC ground.	

Eyecom company policy is one of continuing improvement; therefore we reserve the right to change this specification without notice