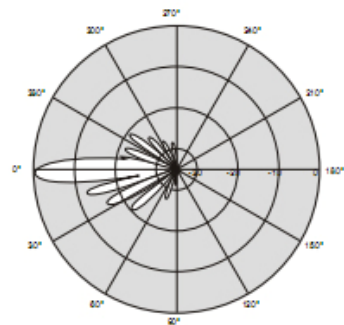
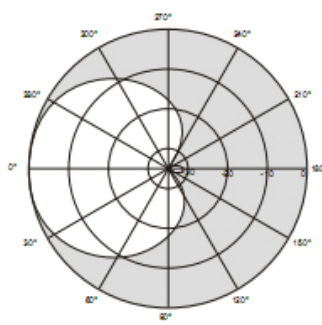


## BAP Panel Antenna Series-Vertical Pol.

**Vertical Pattern (880MHz)**

**Horizontal Pattern (880MHz)**


Electrical Parameters	BAP890-65-17D
Frequency range	806~ 960MHz
Gain	17dBi
Polarization	Vertical
Vertical plane -3dB beamwidth	8.5°
Horizontal plane -3dB beamwidth	64°
First upper sidelobe suppression	≥18dB
Return loss	≥16dB
Front to back ratio	≥30dB
Max CW power per port	500W
Impedance	50Ω
IMD performance	≤-150dBc
Fixed electrical downtilt	2°
Lighting protection	DC ground
Connector type	DIN 7/16F
Mechanical Parameters	Specification
Rated wind speed	200km/hr
Dimensions H x W x D	2158×256×137mm
Packed size H x W x D	2255×400×300 mm
Net weight (with mounting hardware)	13kg
Operating temperature	Min -40°C Max +60 °C
Radome material	FRP or UV Stable PVC
Mechanical downtilt max. (with adjustable brackets)	10°
Mounting pole (min/max diameter)	50~100mm
Performance	Specification
Materials:	All internal parts corrosion resistant. All antenna fasteners stainless steel. Bracket assemblies fully galvanized. Radome surface treated for maximum UV protection.
Mounting:	Available with either fixed brackets (non-adjustable) or mechanically adjustable bracket assemblies. Please specify when ordering.
Grounding:	Lower bracket assembly DC ground.

Eyecom company policy is one of continuing improvement; therefore we reserve the right to change this specification without notice.