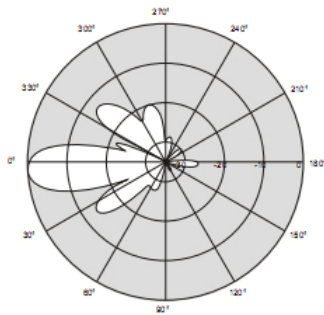
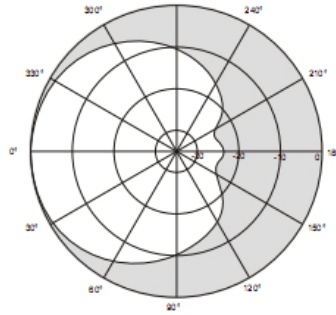


BAP Panel Antenna Series-Slant Pol.

Vertical Pattern (880MHz)

Horizontal Pattern (880MHz)


Electrical Parameters		BAP890-90S-13D	
Frequency range	806~960MHz		
Gain	806MHz	12.5dBi	
	880MHz	12.8dBi	
	960MHz	12.7dBi	
Polarization	Dual, slant $\pm 45^\circ$		
Isolation between ports	$\geq 30\text{dB}$		
Vertical plane -3dB beamwidth	16.0°		
Horizontal plane -3dB beamwidth	88°		
First upper side lobe suppression	$\geq 15\text{dB}$		
Return loss	$\geq 16\text{dB}$		
Front to back ratio	$\geq 25\text{dB}$		
Max CW power per port	500W		
Impedance	50Ω		
IMD performance	$\leq -150\text{dBc}$		
Fixed electrical downtilt	4°		
Lighting protection	DC ground		
Connector type	DIN 7/16F		
Mechanical Parameters		Specification	
Rated wind speed	200km/hr		
Dimensions H x W x D	1158×256×137mm		
Packed size H x W x D	1230×400×300 mm		
Net weight (with mounting hardware)	8.5kg		
Operating temperature	Min -40°C Max +60 °C		
Radome material	FRP or UV Stable PVC		
Mechanical downtilt max. (with adjustable brackets)	20°		
Mounting pole (min/max diameter)	50~100mm		
Performance		Specification	
Materials:	All internal parts corrosion resistant.		
	All antenna fasteners stainless steel.		
	Bracket assemblies fully galvanized.		
Mounting:	Radome surface treated for maximum UV protection.		
	Available with either fixed brackets (non-adjustable) or mechanically adjustable bracket assemblies. Please specify when ordering.		
Grounding:	Lower bracket assembly DC ground.		

Eyecom company policy is one of continuing improvement; therefore we reserve the right to change this specification without notice.