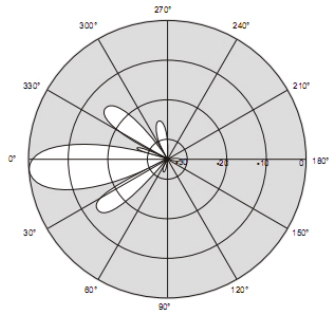
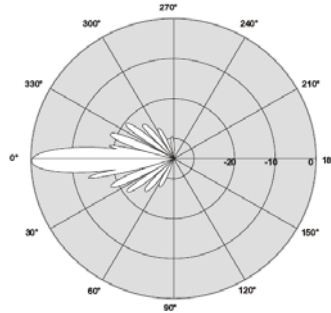


## BAP Panel Antenna Series-Dual Band

**Vertical Pattern (800MHz)**

**Vertical Pattern (1800MHz)**


Electrical Parameters		BAP890-1900-65S-14DRE	
Frequency range		824~960MHz	1710~2170MHz
Gain		14dBi	17dBi
Polarization		Dual, slant $\pm 45^\circ$	Dual, slant $\pm 45^\circ$
Isolation between ports		$\geq 30$ dB	$\geq 30$ dB
Isolation between bands		$\geq 30$ dB	$\geq 30$ dB
Vertical plane -3dB beamwidth		16.5°	7.6°
Horizontal plane -3dB beamwidth		65°	65°
First upper sidelobe suppression		$\geq 17$ dB	$\geq 17$ dB
Return loss		$\geq 16$ dB	
Front to back ratio		$\geq 30$ dB	
Max CW power per port		250W	
Cross-Polarization Ratio		$\geq 20$ dB	
IMD performance(2x43dBm)		$\leq -150$ dBc	
Electrical downtilt range		1~ 10°	
RF Connector numbers/ type		4/DIN-F	
Electrical RCU interface/Numbers**		AISG2.0/2	
Mechanical Parameters		Specification	
Rated wind speed		200km/hr	
Dimensions H x W x D		1260x406x137 mm	
Packed size H x W x D		1425x390x230 mm	
net weight (with mounting hardware)		14kg	
Operating temperature		Min -40°C Max +60 °C	
Radome material		FRP or UV Stable PVC	
Features		Specification	
Materials:		All internal parts corrosion resistant. All antenna fasteners stainless steel. Bracket assemblies fully galvanized. Radome surface treated for maximum UV protection.	
Mounting:		Available with either fixed type brackets (non-adjustable) or mechanically adjustable bracket assemblies for extra 1-20 degree mechanical downtilt adjustment	
Grounding:		Lower bracket assembly DC ground.	
Connections:		Remote control electrical downtilt connections are in accordance with AISG standards	

Eyecom company policy is one of continuing improvement; therefore we reserve the right to change this specification without notice

\* Duplexed input ports option available \*\* Built-in RCU version available