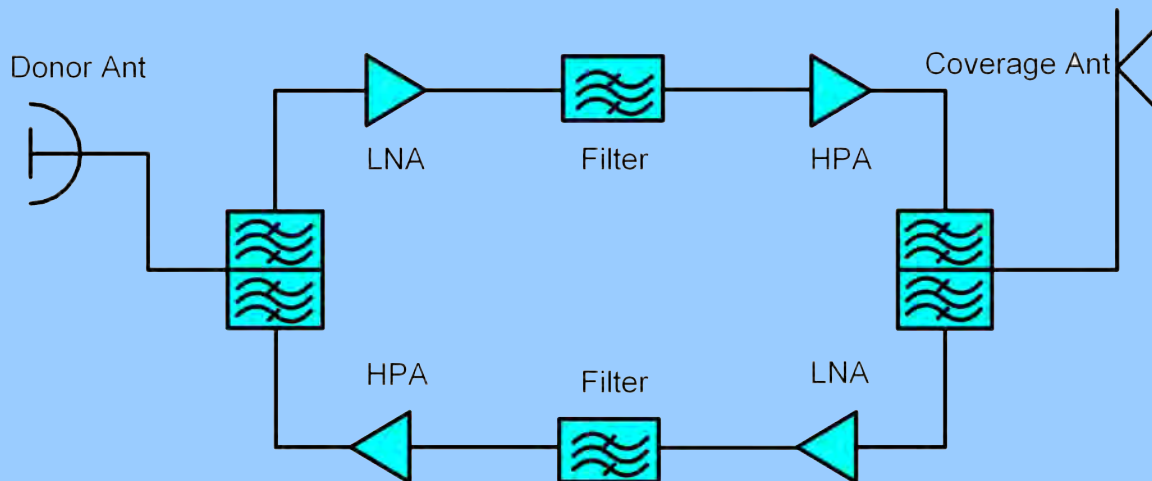


CELLULAR INDOOR/OUTDOOR COVERAGE



Cellular Highpower Repeater for enhancing coverage In demanding environments

- Use ultra high linearity amplifier
- SAW filter used providing very sharp out band roll off
- Low spurious, optional remote control and monitoring
- Supports frequency hopping

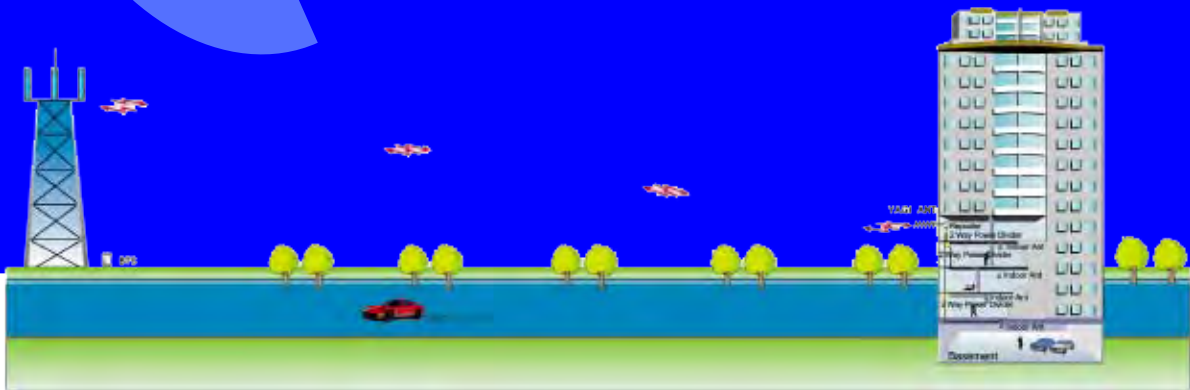
Turnkey coverage solutions

The Eyecom range of repeater products are class-leading in their design, functionality and extreme reliability and with our broad range of available repeaters we are able to tailor a solution that bestfits any customer's need.

The Eyecom High Power Repeater is the ideal choice

where maximum coverage distance or area is required. They are available as either band selective or channel selective and with the option of either on-site configuration or remotely via the Eyecom NMS (Network Management Software).

Typical applications include: Long tunnel sections, in-building systems and large area outdoor coverage.



Eyecom Cellular Specification

Frequency Bands Adjust able in range
CDMA, GSM900/1800, WCDMA

For other frequency band
Variations, contact your dealer
Of the manufacturer

Maximum Output Power +36 dBm (with 1 carrier)
 +33 dBm (with 2 carrier)
 +30 dBm (with 4 carrier)
 +27 dBm (with 8 carrier)

Gain 60-90 dB step 1dB

Power Supply 220 VAC

RF Connector N-F or Customized

Optical connectors NA

Compliant to EN301502
 EN301908-11
 EN301908-1
 EN 300609-4
 3GPP

For solution specific requirements, please contact our sales!

Eyecom company policy is one of continuing improvement, therefore we reserve the right to change this specification without notice.

RESELLER:

MANUFACTURER:



Gaopu Road No.1021-1023,
National Software Industry Park,
Guangzhou, China.
Phone +86 20 37020080
Fax +86 20 37020081
www.eyecom-telecom.com