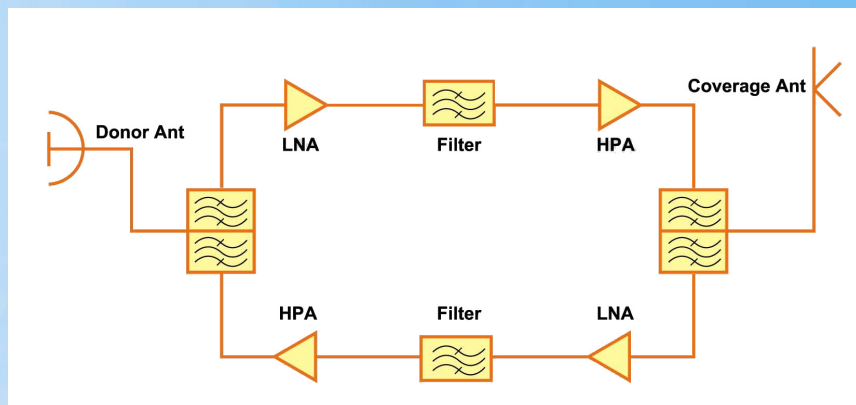


## TETRA INDOOR/OUTDOOR COVERAGE



### TETRA Highpower Repeater for enhancing coverage In demanding environments

- Use ultra high linearity amplifier
- SAW filter used providing very sharp out band roll off
- Low spurious, optional remote control and monitoring
- Supports frequency hopping

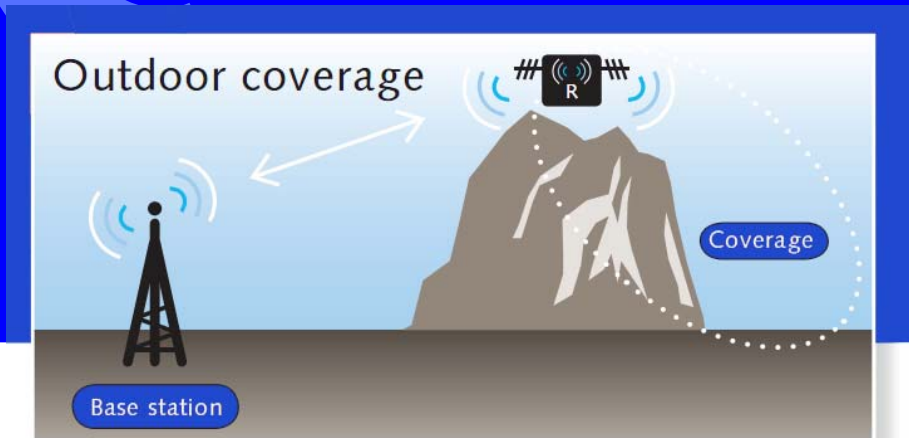
## Turnkey coverage solutions

The Eyecom range of repeater products are class-leading in their design, functionality and extreme reliability and with our broad range of available repeaters we are able to tailor a solution that bestfits any customer's need.

The Eyecom High Power Repeater is the ideal choice

where maximum coverage distance or area is required. They are available as either band selective or channel selective and with the option of either on-site configuration of remotely via the Eyecom NMS (Network Management Software).

Typical applications include: Long tunnel sections, in-building systems and large area outdoor coverage.



## Eyecom TETRA Specification

Frequency Bands	Adjust able in range 380- 460 MHz / 806-870MHz
	For other frequency band V ariations, contact your dealer Of the manufacturer

Maximum Output Power	+36 dBm (with 1 carrier) +33 dBm (with 2 carrier) +30 dBm (with 4 carrier) +27 dBm (with 8 carrier)
----------------------	--

Gain	60-90 dB step 1dB
Power Supply	2 20 VAC
RF Connector	N-F or Customerized
Optical connectors	NA

Compliant to	ETSI 101789 EN300394 EN60950 EN50121 EN301489
--------------	---

For solution specific requirements, please contact our sales!

*Eyecom company policy is one of continuing improvement, therefore we reserve the right to change this specification without notice.*

### RESELLER:

### MANUFACTURER:



Gaopu Road No.1021-1023,  
National Software Industry Park,  
Guangzhou, China.  
Phone +86 20 37020080  
Fax +86 20 37020081  
www.eyecom-telecom.com